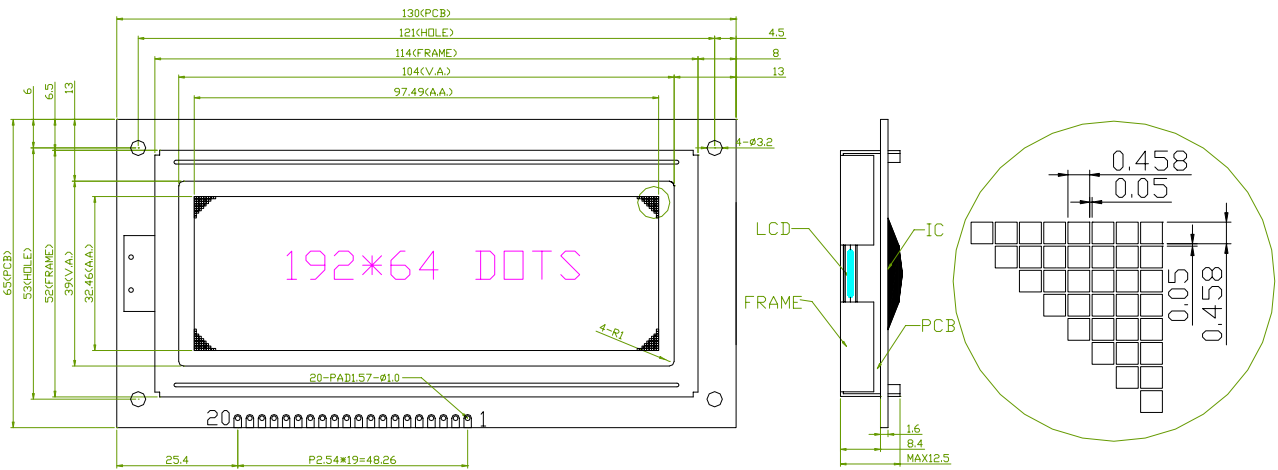


1. EXTERNAL DIMENSION



PIN DESCRIPTION

PIN1	PIN2	PIN3	PIN4	PIN5	PIN6	PIN7	PIN8	PIN9	PIN10	PIN11	PIN12	PIN13	PIN14	PIN15	PIN16	PIN17	PIN18	PIN19	PIN20
GND	VDD	VO	RS	R/W	E	DB0	DB1	DB2	DB3	DB4	DB5	DB6	DB7	CS1	RSTB	CS2	CS3	VOUT	LEDA

2. PIN CONNECTIONS

PIN	SYMBOL	SIGNAL DESCRIPTION
1	GND	Ground.
2	Vdd	Power Supply for Logic.
3	VO	Operating Voltage for LCD.
4	RS	Register Select. H: Data Code Input; L: Instruction Code Input.
5	R/W	Read/Write. H: Read Operation; L: Write Operation
6	E	Enable
7 to 14	DB0 to DB7	Data Bus
15	CS1	Chip Select Signal For U1 When L.
16	RSTB	Chip Reset Signal
17	CS2	Chip Select Signal For U2 When L.
18	CS3	Chip Select Signal For U3 When L
19	Vout	Negative Voltage
20	LEDA	LED Backlight Power Supply(+5V).

3. ELECTRICAL CHARACTERISTICS (Ta=25°C)

ITEM	SYMBOL	CONDITION	MIN	TYP.	MAX.	UNIT
Supply Voltage for Logic	Vdd-GND	-	4.75	5.0	5.25	V
Supply Current for Logic	Idd	Vdd=5.0 V	-	15	-	mA
Driving Voltage for (LCD)	Vdd-VO		-	13	-	V

4. WHITE BACKLIGHT CHARACTERS(Ta= 25°C)

PARAMETER	SYMBOL	CONDITION	MIN	TYP.	MAX	UNIT
LED Forward Consumption Current	If	Ta=25°C, Vf=3.0V	-	150	-	mA

5. BLOCK DIAGRAM

